

CCS Technical Documentation

RH-13 Series Transceivers

General Information

Contents

	Page No
Product Selection	3
Handportables	3
Desktop Option	4
Advanced Hands Free Car Installation (CARK-91) Options	5
Product List	6
Technical Specifications	7
General Specifications of Transceiver RH-13	7

Product Selection

Handportables

The RH-13 is a multimode radio transceiver unit for 800/1900MHz Time Division Multiple Access (TDMA) and GSM 1900 MHz networks. The transceiver consists of system/RF module, keypad module, LCD module, and assembly parts. The user interface (UI) consists of normal number, talk, soft, and power keys in the keymat.

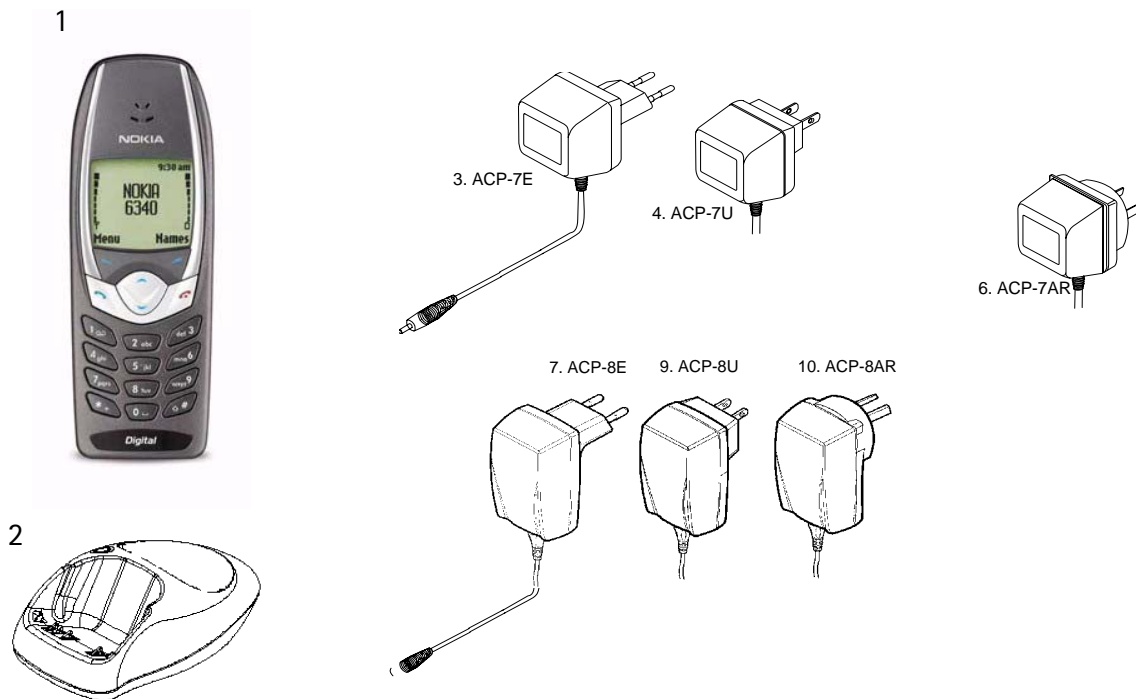
The antenna is internal; antenna connection is provided by spring from PCB to antenna.



Name:	Type Code:	Material Code:
Transceiver	See Product Variants	
Standard Battery (1000 mAh Li-Ion)	BLB-3	0670283
AC Travel Charger (Euro plug) 207-253 Vac	ACP-7E	0675144
AC Travel Charger (US plug) 108-132 Vac	ACP-7U	0675143
AC Travel Charger (AR plug) 220 Vac	ACP-7AR	0675244
Performance Travel Charger Euro plug 90-264 Vac	ACP-8E	0675195
Performance Travel Charger US plug 90-264 Vac	ACP-8U	0675196
Performance Travel Charger AR plug 220 Vac	ACP-8AR	0675248

Desktop Option

The desktop option allows the user to charge the phone from the mains.



Item	Name:	Type Code:	Material Code:
1	Transceiver RH-13	See Product Variants	
2	Desk stand	DCH-8	0675174
3	AC Travel Charger (Euro plug) 207-253 Vac	ACP-7E	0675144
4	AC Travel Charger (US plug) 108-132 Vac	ACP-7U	0675143
6	AC Travel Charger (AR plug) 220 Vac	ACP-7AR	0675244
7	Performance Travel Charger Euro plug 90-264 Vac	ACP-8E	0675195
9	Performance Travel Charger US plug 90-264 Vac	ACP-8U	0675196
10	Performance Travel Charger AR plug 220 Vac	ACP-8AR	0675248

Advanced Hands Free Car Installation (CARK-91) Options



Item	Name	Type Code	Material Code
1	Transceiver	(See Product Variants section)	
2	Mobile Holder	MCC-1	0620043
3	Handsfree Unit	HFU-2	0694049
4	Handsfree Microphone	HFM-8	0690016
5	Handsfree Speaker	HFS-12	0692008
6	Power Cable	PCH-4J	0730055
7	Swivel Mount	HHS-9	0620037
8	Mounting Plate	MKU-1	0620036

Product List

Unit/type:	Product code:
Transceiver RH-13	See Product Variants
Li-Ion Battery BLB-3 1000 mAh	0670283
AC Travel Charger ACP-7E (EUR) 207-253 Vac	0675144
AC Travel Charger ACP-7U (US) 108-132 Vac	0675143
AC Travel Charger ACP-7AR (AR) 220 Vac	0675244
Performance Travel Charger ACP-8E (EUR) 90-264 Vac	0675195
Performance Travel Charger ACP-8U (US) 90-264 Vac	0675196
Performance Travel Charger ACP-8AR (AR) 220 Vac	0675248
Extra Battery Charger DDC-1	0675243
DCH-12K Desktop stand	0675228
DCH-8D Desktop stand	0675256
DCH-8 Desktop stand	0675179
Mounting Plate MKU-1	0620036
Swivel Mount HHS-9	0620037
Cigarette Lighter Charger LCH-9	0675120
Handsfree Microphone HFM-8	0690016
Headset HDC-9P	0694063
Headset HDE-1	0694076
Phone Adapter (TTY/Headset) HDA-8	0694092
Loopset LPS-1	0272233
Passive Car Holder MBC-1	0700060
Leather case CSL-27 with BCH-12P Beltclip	0720333
Leather Style Case CSL-17	0720271
Data Cable DLR-3P	0730183

Technical Specifications

General Specifications of Transceiver RH-13

Table 1: Specification for TDMA800 + AMPS

Parameter	Unit
Cellular system	TDMA800 + AMPS
RX frequency band	869.01 - 893.97 MHz
TX frequency band	824.01 - 848.97 MHz
Output power	-5 - +28 dBm / 0.3 mW - 630 mW
Number of RF channels	832
Channel spacing	30 kHz

Table 2: Specification for TDMA 1900

Parameter	Unit
Cellular System	TDMA1900 + AMPS
RX frequency band	1930.05 - 1989.99 MHz
TX frequency band	1850.01 - 1909.95 MHz
Output power	-5 - +28 dBm / 0.3 mW - 630 mW
Number of RF channels	1999
Channel spacing	30 kHz

Table 3: RH-13 General Specifications

Parameter	Unit
Cellular system	GSM 1900
RX frequency band	GSM: 1930 ... 1990 MHz
TX frequency band	GSM: 1850 ... 1910 MHz
Output power	+0 ...+30 dBm / 1.0 mW ... 1 W
Duplex spacing	80 MHz
Number of RF channels	299
Channel spacing	200 kHz
Number of TX power levels	16
Sensitivity, static channel	-102 dBm
Frequency error, static channel	< 0.1 ppm
RMS phase error	< 5.0 °
Peak phase error	< 20.0 °

This page intentionally left blank.